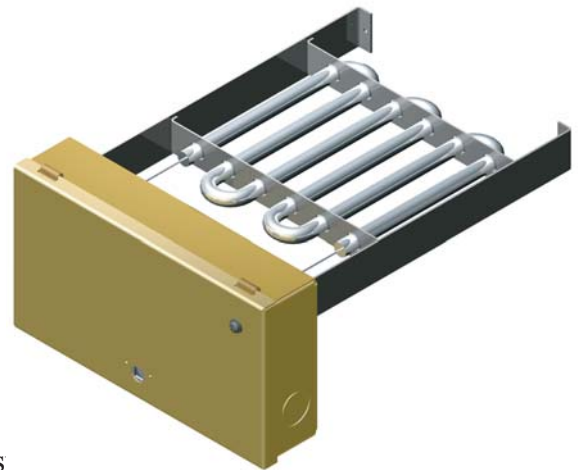
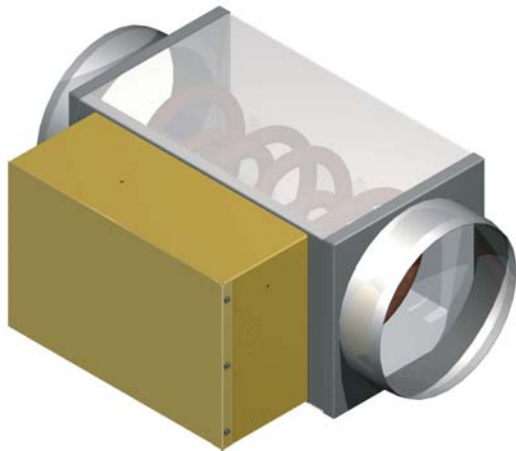


Make-Up Air

Indoor Air Quality (IAQ)

Tempering Outside Air, Comfort Requirements

Advanced WarmFlo Comfort Module Technology



Application - fresh air code requirements and/or appliances which could create unhealthy negative press within the building.

- Building usage, people loading
- Air environment within building
- Fireplace
- Larger kitchen vent hoods
- Appliances, without sealed combustion
- Single vent gas furnace or water heater
- Forced exhaust systems - restrooms, bathrooms, kitchens, etc.

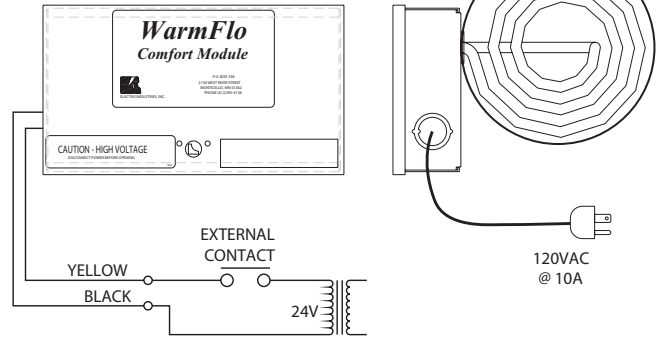
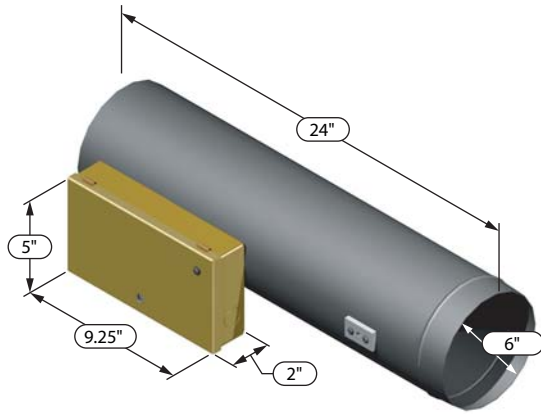
WHY ELECTRIC DUCT HEATER?

- Lower installation cost
- Easy installation
- Simple on/off control

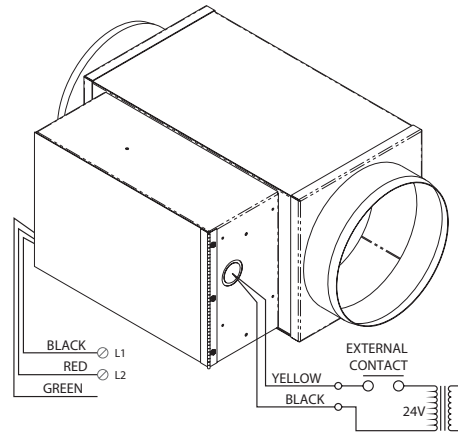
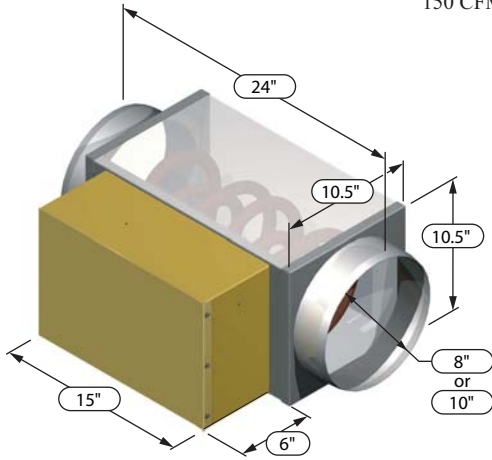
WHY WARMFLO COMFORT MODULE?

- More than a duct heater
- Outlet temperature sensing
- Fully modulates elements
- Use only the energy required
- Operating Efficiency

Packaged Units - Non-Blower



EM-WX0111R - 1,000-watt, 120V plug-in
150 CFM rating, 6" round duct section

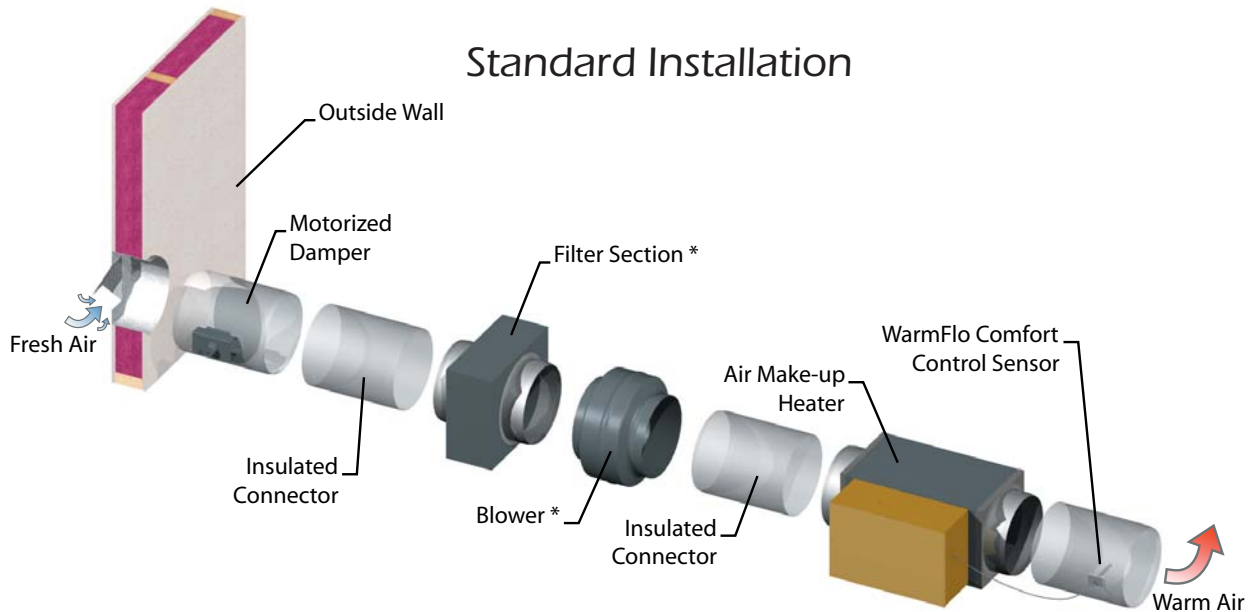


EM-WX0212R - 2,500-watt, 240V
250 CFM rating, 8" round duct section

EM-WX0515R - 5,000-watt, 240V
350 CFM rating, 8" round duct section

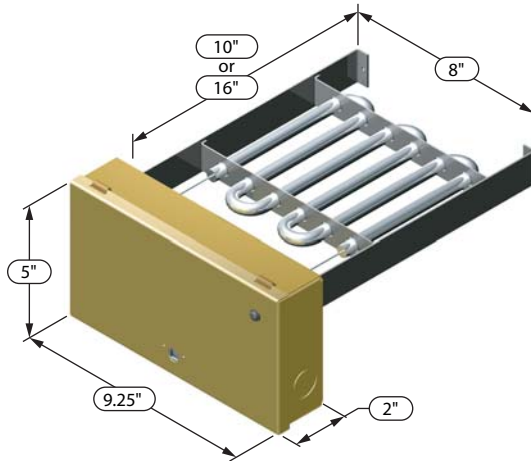
EM-WX1025R - 10,000-watt, 240V
700 CFM rating, 10" round duct section

Standard Installation



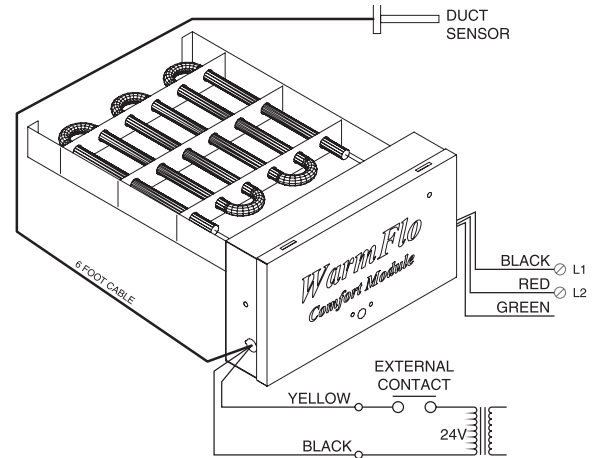
* Can be in same enclosure.

Insert Element Rack



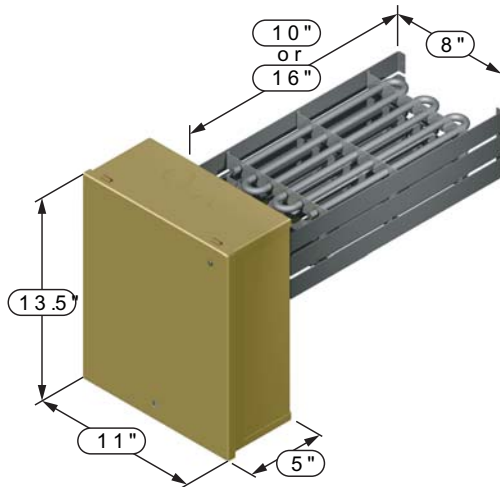
EM-WC0313H - 2,880-watt, 240V
300 CFM rating, 8" x 10"d element rack

EM-WC0515H - 4,800-watt, 240V
400 CFM rating, 8" x 10"d element rack



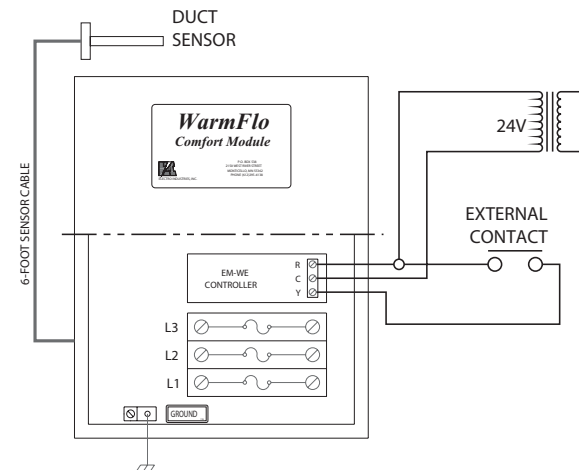
EM-WC0515L - 4,800-watt, 240V
400 CFM rating, 8" x 16"d element rack

EM-WC1025L - 9,600-watt, 240V
800 CFM rating, 8" x 16"d element rack



EM-WM1535L - 15,000-watt, 240V
1,100 CFM rating, 8" x 16"d element rack

EM-WM2035L - 20,000-watt, 240V
1,300 CFM rating, 8" x 16"d element rack



EM-WM1134H - 10,800-watt, 208V 3-phase
800 CFM rating, 8" x 10"d element rack

EM-WM1536L - 15,000-watt, 208V 3-phase
1,100 CFM rating, 8" x 16"d element rack

Electrical Source Power:

- See nameplate for voltage rating, amp draw, and maximum watts
- 120V single-phase, 240V single-phase, or 208V three-phase - depending upon model and size
- 120V model has 8' plug-in cord
- All other models, terminal block connections (copper wire only)
- Units above 10 kW include internal fusing

24-volt control:

- External 24-volt source is required for operation
- Turn-on (on/off function) accomplished with the presence of 24-volt source
- System or external contact closure provides 24 volts to this unit
 - Pressure differential switch
 - Inlet damper end switch
 - Relay connected to blower motor, contact closure
 - Exhaust motor current switch contact
 - Thermostat, blower function "G" (parallel connection)
 - Temperature sensing thermostat (must also operate blower)

Packaged Units - Self-Contained, Blower
Contact Factory - Request Document #0155

CFM Chart

Temperature Rise Needed		80	70	60	50	40	30
<u>Model Number</u>	<u>Watts*</u>	<u>CFM</u>	<u>CFM</u>	<u>CFM</u>	<u>CFM</u>	<u>CFM</u>	<u>CFM</u>
EM-WX0111R	1000	40	45	53	63	79	105
EM-WX0515R	5000	197	225	262	319	393	525
EM-WX1025R	10000	393	450	525	630	787	1050
EM-WH0515J	5000	175	222	260	316	388	520
EM-WH1025K	10000	365	420	490	590	718	980
EM-WC0313H	2880	114	130	152	182	228	303
EM-WC0515H	4800	189	216	252	302	378	504
EM-WC0515L	4800	189	216	252	302	378	504
EM-WC1025L	9600	378	432	504	604	756	1007
EM-WM1535L	14400	567	648	756	907	1133	1511
EM-WM2035L	19200	756	863	1007	1209	1511	2015
EM-WM1134H	10800	425	486	567	680	850	1133
EM-WM1536L	15000	593	677	790	948	1185	1580

*At maximum capacity, duct sensor reduces watts as required.

Efficient - 100%, Plus Duct Sensor Modulates Elements

HOW TO ORDER

Select model number AND state temperature selection code.

Warm Air Temperature Selection

The unit includes an 8-position dial switch to set the desired outlet sensor temperature. In order to give this 8-position dial switch proper definition and accuracy, when ordering select the temperature **range** which meets your application.

	<u>Min.</u>		<u>Max.</u>
“Code E”	68	to	96
“Code H”	88	to	102
“Code C”	20	to	55
“Code B”	96	to	124

WHAT MAKES THIS DUCT HEATER DIFFERENT?

- WarmFlo controller and duct sensor - state of the art, all digital, control module which continuously monitors the outlet. All elements are controlled or modulated to maintain a delivery temperature based upon the user set point. There is no temperature overshoot or wasted energy common with basic on/off duct heaters.
- 20 years duct heater manufacturing experience
- 5 years WarmFlo field experience
- Compact/flexible - any retrofit or new design requirement for tempered air. The control box is simply screwed on the side of any forced air trunkline/duct.

Specifications subject to change without notice, all rights reserved.



ELECTRO INDUSTRIES, INC.

2150 West River Street, PO Box 538, Monticello, MN 55362
 763.295.4138 • 800.922.4138 • fax 763.295.4434
 sales@electromn.com • www.electromn.com